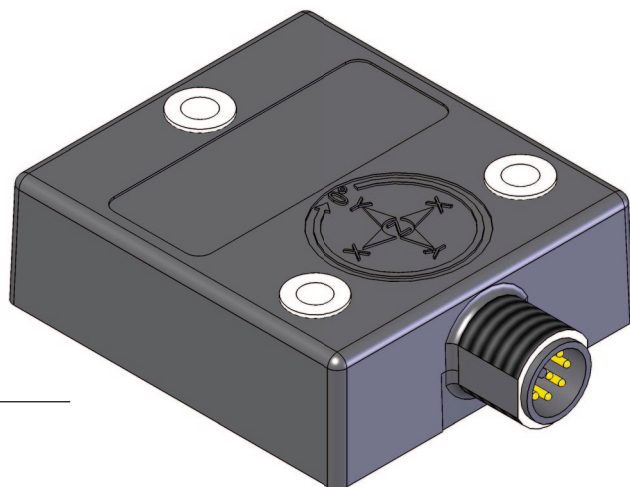


Inclinometer IK360L



Features:

- Single axis inclinometer 0 ... 360°
dual axis inclinometer -80° ... 80° and -80° ... 80°
- Accuracy ±0.5°, Resolution 0.01°
- Interfaces RS232+U, RS232+I, CANopen
- temperature compensated
- Protection IP69K
- easy three-point-mounting

SIKO GmbH

Address
Weihermattenweg 2
79256 Buchenbach

Telephone
+49 7661 394-0

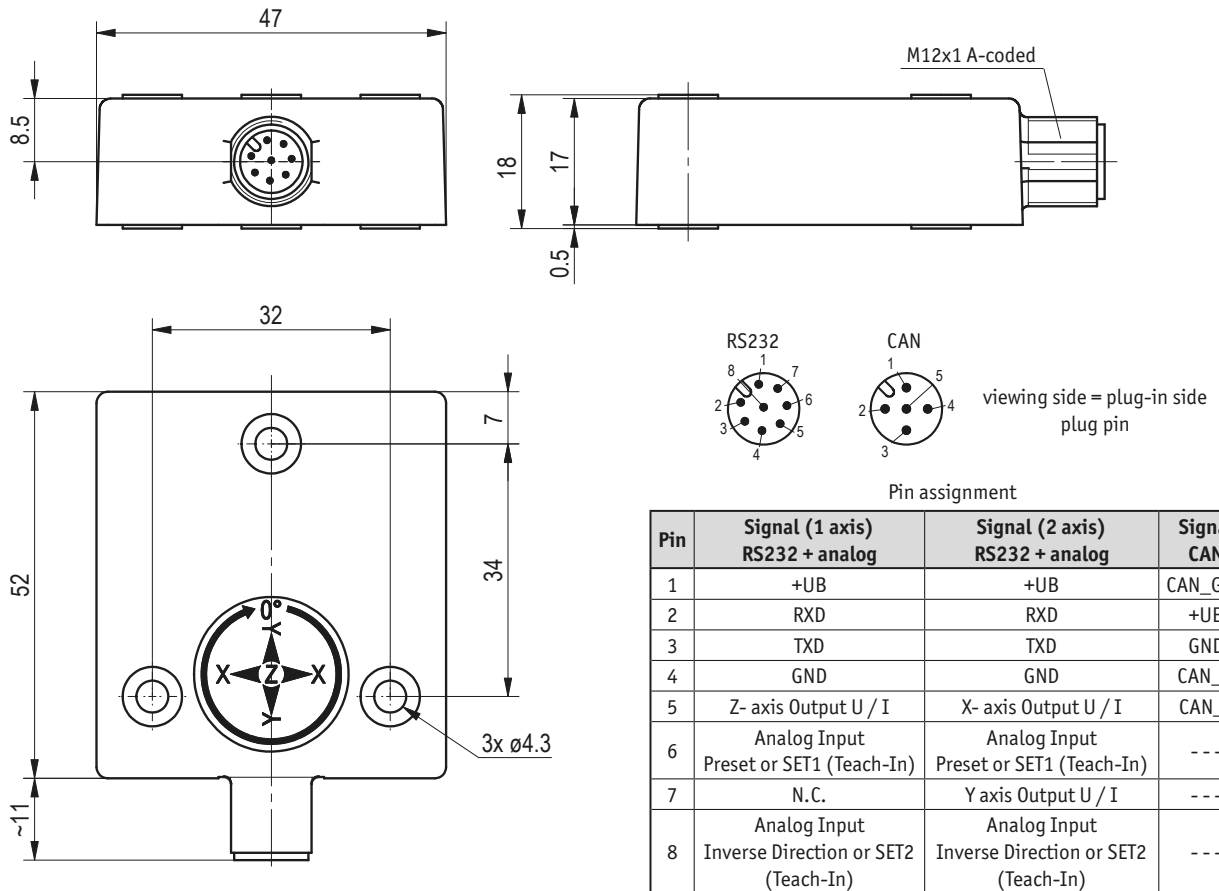
Fax
+49 7661 394-388

eMail
info@siko.de
Internet
www.siko-global.com

Feature	Order text	Additional information
Number of axis	1	
	2	A
Interface	RS232+U0-10V	RS232 + voltage output
	RS232+I	RS232 + current output
	CAN	CANopen

Your ordering: IK360L - -

Inclinometer IK360L



Technical data

Mechanical data:

Housing	PBT glass-fiber reinforced
Weight	~0.075 kg

Electrical data:

Operating voltage	12 ... 30 V DC 10 ... 30 V DC	current output voltage output and CANopen
Power input	≤0.7 W	
Interface	Z = 0 ... 10 V, 0° = 0 V, load ≤1 mA X and Y = 0 ... 10 V, 0° = 5 V, load ≤1 mA Z = 4 ... 20 mA, 0° = 4 mA; load ≤270 R X and Y = 4 ... 20 mA, 0° = 12 mA, load ≤270 R according to ISO 11898, galvanically isolated	RS232+U0-10V (1 axis) RS232+U0-10V (2 axes) RS232+I (1 axis) RS232+I (2 axes) CANopen (profile 410)
Accuracy	±0.5°	at -10 ... 40 °C

System data:

Resolution	0.01°	
Messbe Measuring range reich	360° X and Y = -80 ... 80°	1 axis 2 axes

Ambient conditions:

Ambient temperature	-40 ... 85 °C	
Relative humidity	100 %	condensation admissible
EMC	EN 61000-6-2 EN 61000-6-4	interference resistance / immission emitted interference / emission
Protection category	IP69K, IP68	EN 60529, only with mating connector
Shock resistance	≤1000 m/s ² , 6 ms	EN 60068-2-27
Vibration resistance	1,5 mm, 10 ... 58 Hz ≤200 m/s ² , 58 Hz ... 2 kHz	EN 60068-2-6 EN 60068-2-6

Accessory

84109	Mating connector M12 (CAN)	5 pins circular cable connector A-coded (Ø20)
83006	Mating connector M12 (CAN)	5 pins angle cable connector A-coded (Ø19)
83525	Mating connector M12 (RS232)	8 pins circular cable connector A-coded (Ø20)
KV05S0	Cable extension M12 (CAN)	5 pins circular cable connector A-coded (Ø15)
KV08S3	Cable extension M12 (RS232)	8 pins circular cable connector A-coded (Ø15)

Additional information