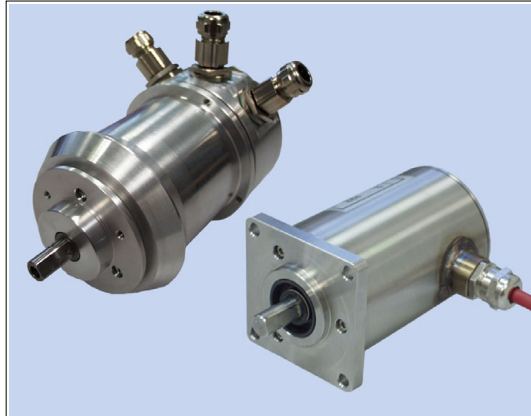


Protective housing MP01 - 65, MP03 - 58



- **Applications field (samples):**
 - **Container terminals**
 - **Marine**
 - **Paper machines**
- **Resistance against:**
 - **Salt-environment**
 - **Acid-environment**
- **Heavy-duty**
- **Delivery completely mounted, with custom specific encoder type**

Characteristics

Case style MP01 for 65 mm Encoder dia.
Case style MP03 for 58 mm Encoder dia.
Case material stainless steel 1.4305 X12 Cr NiS 18 08 / 18 9

Description:

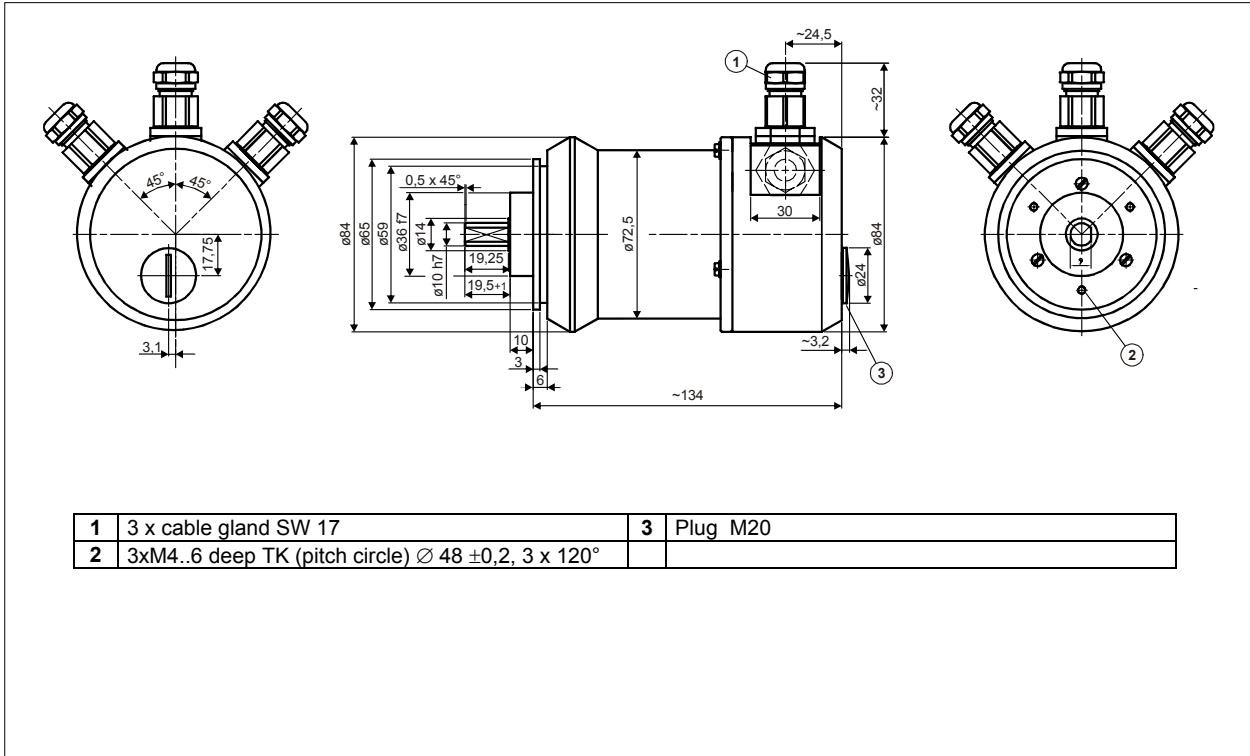
This stainless steel protective case is suitable in particular at use in the **environment** of aggressive media. Fieldbus and standard interfaces available.

Environmental conditions

Vibration..... ≤ 100 m/s² (10g) sine 50-2000 Hz acc. DIN IEC 68-2-:1996
Shock..... ≤ 1000 m/s² (100g) 11ms acc. DIN IEC 68-2-27:1995
EMC..... DIN EN 61000-4-2:2001
DIN EN 61000-4-4:2004
DIN EN 61000-6-2:2001
Operating temperature..... -20°C °C ... 70°C (as option -40°C ...+85°C)
Storage temperature range..... -30°C ... +85°C dry
Relative humidity 98 % (non condensing) compliant DIN EN 60068-3-4:2002
Packing compliant DIN EN 22206:1993
Protection class¹⁾ IP 67 compliant EN 60529:1991

¹⁾This is valid, if the plug connectors are connected correctly and/or the cable gland is screwed together correctly.

Dimension drawing MP01



Dimension drawing MP03

