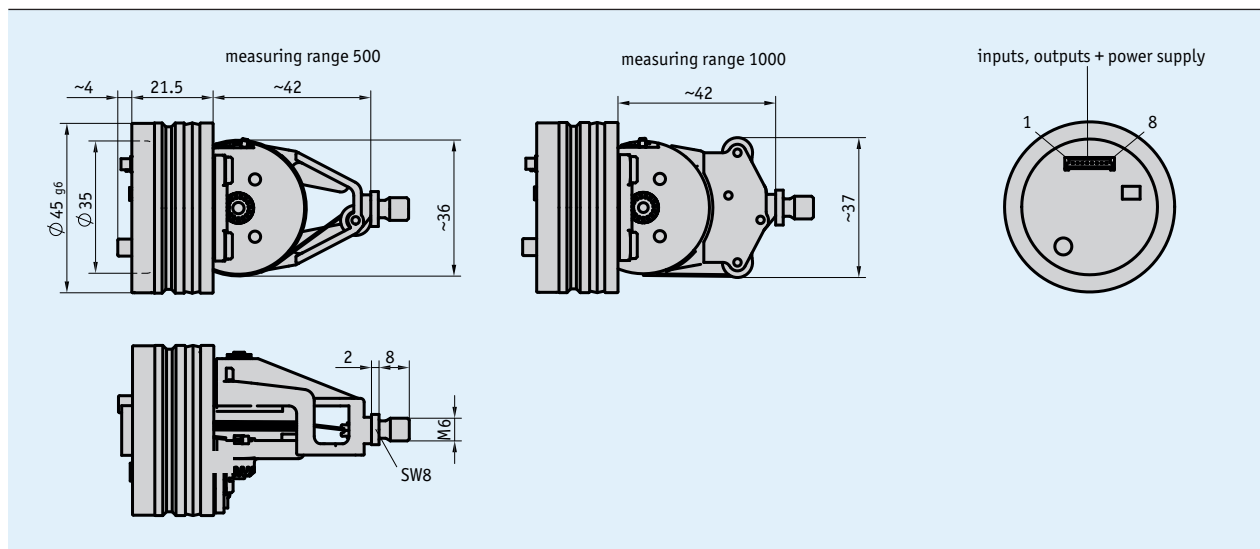


### Profile

- Measuring range 0 ... 1000 mm
- Absolute measuring system
- CANopen interface, analog: Current and voltage
- Operating voltage 9 ... 32 VDC
- Pressure-resistant up to 300 bar, pressure peaks up to 500 bar
- High degree of flexibility, adjustable to all measuring lengths thanks to teach-in
- High electro-magnetic compatibility
- High shock and vibration resistance



### Mechanical data

Feature	Technical data	Additional information
Flange	aluminum	sealing ring (PUR)
Housing	synthetic	POM
Wire design	ø0.45 mm	Steel rope (stainless)
Extension force	≥2 N	
Acceleration	≤10 m/s <sup>2</sup>	
Weight	~0.15 kg	

### Electrical data

Feature	Technical data	Additional information
Operating voltage	9 ... 32 V DC	with output 0 ... 5 V, 0.5 ... 4.5 V, 0.25 ... 4.75 V, 1.0 ... 4.9 V
	12 ... 32 V DC	with output 0 ... 10 V
	12 ... 32 V DC	with output 0 ... 20 mA, 4 ... 20 mA, but $U_B > U_{load} + 2.0$ V
Current consumption	<32 mA	without load
Power input	<0.5 W	without load
Digital inputs	2	limit inputs
Input signal level high	>8.4 V	
Input signal level low	<2.8 V	
Output voltage	0 ... 10 V	
	0 ... 5 V	
	0.5 ... 4.5 V	
	0.25 ... 4.75 V	
	1 ... 4.9 V	
Output current	0 ... 20 mA	load $\leq 500 \Omega$
	4 ... 20 mA	load $\leq 500 \Omega$
Power rating	$\leq 10$ mA	voltage output
Type of connection	plug connector connection system	KV1H

### System data

Feature	Technical data	Additional information
Scanning	magnetic	
Resolution	12 Bit	analog output
Measuring range	500 mm	Measuring range flexibly usable between 0...500 mm
	1000 mm	Measuring range flexibly usable between 0...1000 mm
Travel speed	$\leq 1$ m/s	
Failure rate	235 year(s)	analog output, at 60 °C (MTBF) EN/IEC61709 (SN29500)

### Ambient conditions

Feature	Technical data	Additional information
Ambient temperature	-40 ... 105 °C	electronics
	-40 ... 85 °C	mechanics
Storage temperature	-40 ... 85 °C	
Relative humidity	100 %	condensation admissible
Operating pressure	<300 bar	
Overload pressure	<500 bar	
EMC	EN 61000-6-2	interference resistance / immission
	EN 61000-6-4	emitted interference / emission
Protection category	IP69K	built in the cylinder (IP69K), with KV1H and suitable mating connector
Shock resistance	1000 m/s <sup>2</sup> , 11 ms	EN 60068-2-27
Vibration resistance	70 m/s <sup>2</sup> , 10 Hz ... 2 kHz	EN 60068-2-64

## Order

### Ordering table

Feature	Ordering data	Specification	Additional information
Measuring range	... A	500, 1000 in mm	
Interface	0.25/4.75V B	0.25 ... 4.75 V	
	0.5/4.5V B	0.5 ... 4.5 V	
	0/10V	0 ... 10 V voltage output	
	0/20mA	0 ... 20 mA current output	
	0/5V	0 ... 5 V voltage output	
	1.0/4.9V	1.0 ... 4.9 V voltage output	
	4/20mA	4 ... 20 mA current output	

### Order key

SGH10 -    - GW6 -    - M1 - SW

A
B

**Scope of delivery:** SGH10, Mounting instructions

**Accessories:**  
 Electronic display MA50  
 Cable extension KV1H

[www.siko-global.com](http://www.siko-global.com)  
[www.siko-global.com](http://www.siko-global.com)