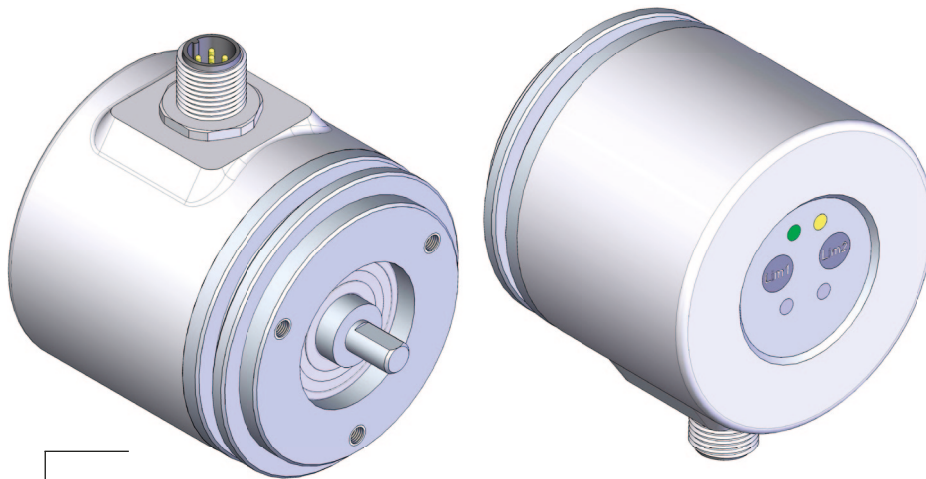


Absolute encoder AV58M



Features:

- Absolute analog encoder
- Resolution 4096
- Operating temperature up to -40 °C
- Voltage (0-10 V)/current (4-20 mA) outputs
- Programmable measuring range via teach-in function with key funktion or external inputs

SIKO GmbH

Address
 Weihermattenweg 2
 79256 Buchenbach

Telephone
 +49 7661 394-0

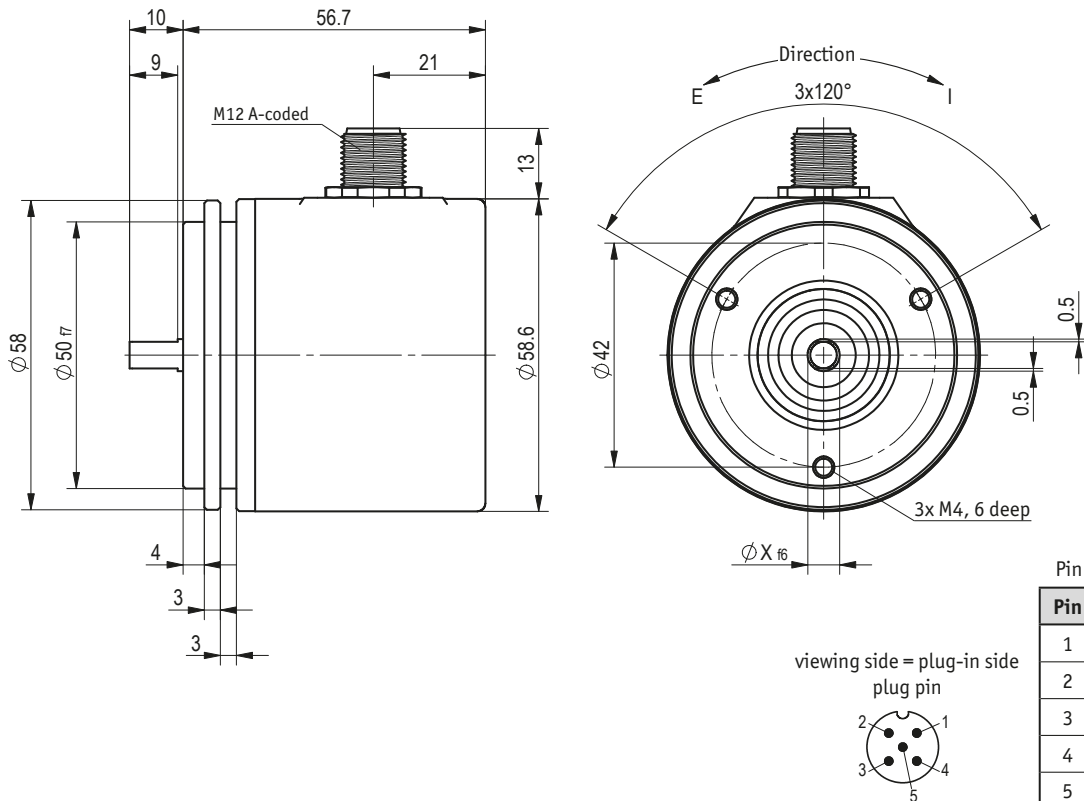
Fax
 +49 7661 394-388

eMail
 info@siko.de
Internet
 www.siko-global.com

| Feature | Order text | Additional information |
|-----------------|------------|------------------------|
| Interface | MWI | A |
| | MWU | |
| Shaft | 6 | B in mm |
| | | |
| Connection type | M12 | C 5 pole (A-coded) |
| | | |

Your ordering: - - -

Absolute encoder AV58M



Pin assignment

| Pin | Signal |
|-----|------------------------------------|
| 1 | I _{OUT} /U _{OUT} |
| 2 | +UB |
| 3 | GND |
| 4 | Limit 1 |
| 5 | Limit 2 |

Technical data

Mechanical data:

| | | |
|-------------------|---------------------------|----------|
| Shaft | stainless special steel | |
| Housing | steel nickelized | |
| Speed | ≤12000 min ⁻¹ | |
| Moment of inertia | ≤20 gcm ² | |
| Starting torque | ≤2 Ncm | at 25 °C |
| Shaft load rating | axial 20 N radial 80 N | |
| Weight | ~0.15 kg | |

Additional information

Electrical data:

| | | |
|---------------------|----------------------------|-------------------|
| Operating voltage | 15 ... 30 V DC | 4 ... 20 mA (MWI) |
| | 12 ... 30 V DC | 0 ... 10 V (MWU) |
| Current consumption | typical 50 mA | without load |
| Inputs | active 12 V ... UB | limit input |
| Linearity | 0.15 % | |
| Load | RL <500 Ω at UB ≥15 V DC | 4 ... 20 mA (MWI) |
| | RL >10 kΩ at UB ≥12 V DC | 0 ... 10 V (MWU) |
| Starting time | <1 s | |
| Settling time | 80 ms | |
| Type of connection | 1x M12 connector (A coded) | 5 pole, 1x pin |

System data:

| | | |
|-----------------|------------------|--|
| Resolution | 12 bit (output) | over the preprogrammed measuring range |
| Measuring range | ≥22.5° | |
| | 65536 revolution | |
| | 16 revolution | factory setting |

Ambient conditions:

| | | |
|----------------------|---|-------------------------------------|
| Ambient temperature | -40 ... 85 °C | |
| Storage temperature | -40 ... 85 °C | |
| Relative humidity | 98 % | condensation not permitted |
| EMC | EN 61000-6-2 | interference resistance / immission |
| | EN 61000-6-4 | emitted interference / emission |
| Protection category | IP65 | EN 60529 |
| Shock resistance | ≤1000 m/s ² , 6 ms | EN 60068-2-27 |
| Vibration resistance | ≤100 m/s ² , 10 Hz ... 1 kHz | EN 60068-2-6 |

Accessory

| | | |
|-------|----------------------|---|
| 84109 | Mating connector M12 | 5 pins circular cable connector A-coded |
| 83006 | Mating connector M12 | 5 pins angle cable connector A-coded |
| SK | Servo clamp | |
| AK18 | Flexible coupling | |