

GYSE-P Probe

Profibus DP output

Profibus interface type "GYSE-P" has newly joined the GYSE series. GYSE-P probe outputs the position data of the magnet with Profibus DP (DPV0) of maximum baud rate 12Mbps. Sensor parameters (resolution, direction, etc.) can be changed by the user through profibus. The GSD file can be downloaded from our company WEB site. Moreover, it is possible to measure the position data for Max. 32 pcs of magnets on one probe simultaneously (multi-magnet).



Specifications

Accuracy	Non-linearity	< $\pm 0.02\%$ FS TYP (Min. $\pm 50 \mu m$)
	Resolution	Min. $1 \mu m$ (set with Profibus DP Configuration)
	Repeatability	< $\pm 0.001\%$ FS (Min. $\pm 3 \mu m$)
	Temp drift	< ± 15 ppmFS/ $^{\circ}$ C
Output		Profibus DPV0
Power Supply		+24(± 2)VDC 70mA (inrush current 200mA)
Frequency response (*)	stroke ~ 800 mm	: 2000Hz
	~ 2200 mm	: 1000Hz
	~ 5000 mm	: 500Hz
	5000mm \sim	: 250Hz
Environment	Admissible press	35MPa (probe rod)
	Operating Temp	-20 $^{\circ}$ C \sim +75 $^{\circ}$ C
	Storage Temp	-40 $^{\circ}$ C \sim +75 $^{\circ}$ C
	Vibration	15G (20 \sim 100Hz)
	Shock	100G (2msec)
Protection		rod type: IP67 / profile type: IP65

*The above mentioned accuracy applies to sensors with an effective stroke of 300mm or more.

(*)Please consult factory for multi-magnet specification.

Model No.

GYSE-P-□□□□-□
 ① ②

① Effective stroke
50mm \sim 7500mm

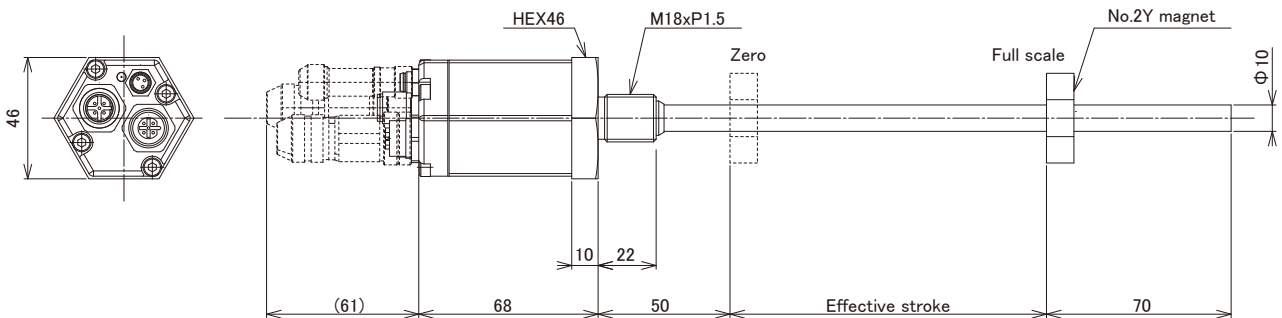
② Thread
N : Rod type, M18xP1.5 (rod $\Phi 10$) (standard)
M14 : Rod type, M24xP1.0 (rod $\Phi 13.8$) (stroke : more than 2000mm)
PF : Profile type

※Fixing clamps are supplied for the profile type.

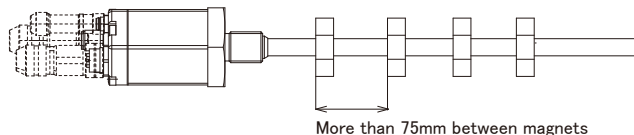
Stroke ~ 599 mm: 2 pcs
600 ~ 1000 mm: 3 pcs
1001 ~ 1500 mm: 4 pcs
1501 ~ 2000 mm: 5 pcs

Dimensions

Probe rod type

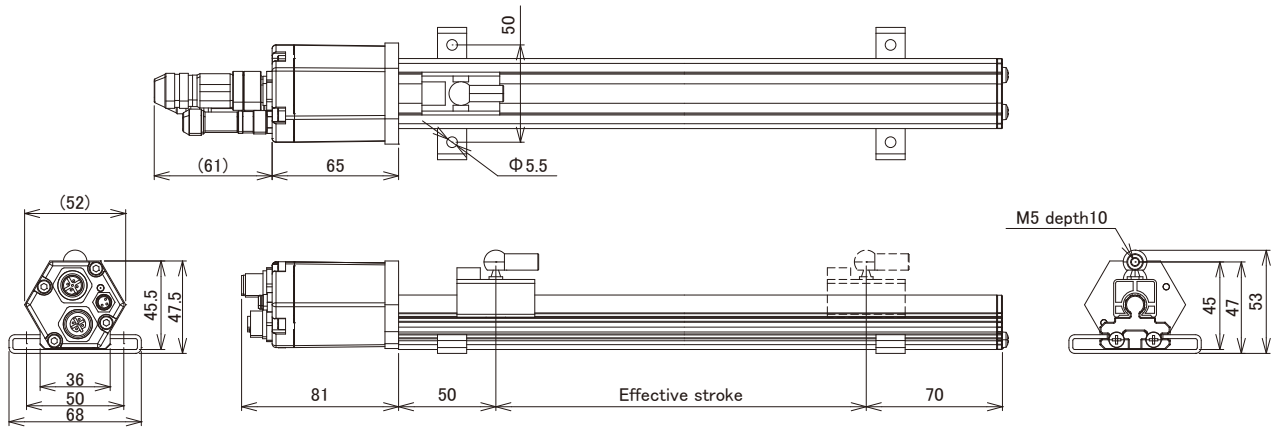


- Material probe head: Al diecast, probe rod: SS304
- Standard magnet: No.2Y
- For multi magnets option (magnets: Max. 32 pcs), please keep the distance between magnets 75mm or more.



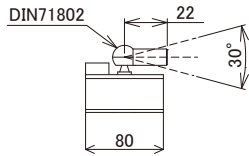
Profile type

Material head: Al diecast, body: Al diecast

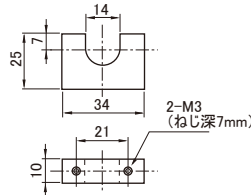


Magnet

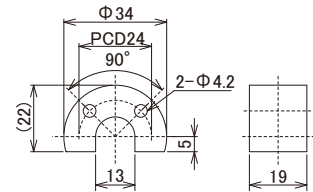
Sliding magnet type
Model: PFU
Material: Polyacetal



Floating magnet type
Model: No.11N
Material: MC nylon



Floating magnet type
Model: No.5KMT-LG
Material: SS304



Sensor connector

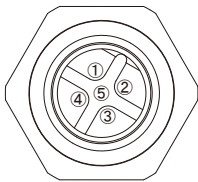
Power supply connector



M8 connector
Pin : Function
1 : +24V power supply
3 : 0V
4 : N. C.

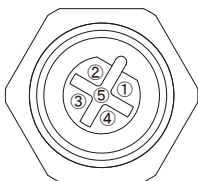
Please ground the drain wire to low impedance earth to reduce noise.

Profibus connector(input / male)



M12 connector (B coding)
Pin : Function
1 : N. C.
2 : RxD/TxD-N (A)
3 : N. C.
4 : RxD/TxD-P (B)
5 : N. C.

Profibus connector(output / female)

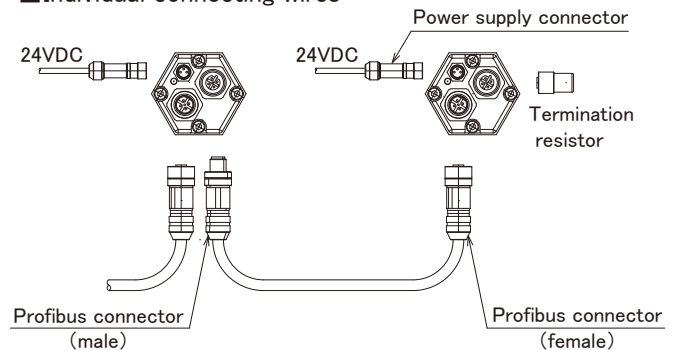


M12 connector (B coding)
Pin : Function
1 : VP+5 (Bus Termination)
2 : RxD/TxD-N (A)
3 : DGnd (Bus Termination)
4 : RxD/TxD-P (B)
5 : N. C.

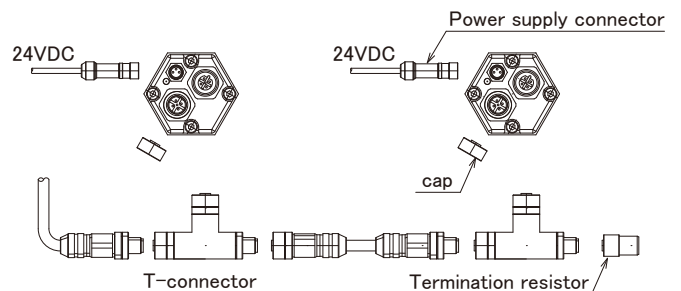
Connecting wires

- For Profibus cable, we can deliver standard type and robot (robust against bendings) type. Please refer to the following: 「Installation Guideline for PROFIBUS DP/FMS」 (profibus society issue)
- For connecting sensors, below two methods are possible.

Individual connecting wires



Connecting wires using T-connector



It makes Technological Sense

STC SANTEST CO., LTD.

<http://www.santest.co.jp>

2-51 Shimaya 4 Chome, Konohana-ku, Osaka 554-8691, Japan
TEL. +81 (6) 6465-5561 FAX. +81 (6) 6465-5921