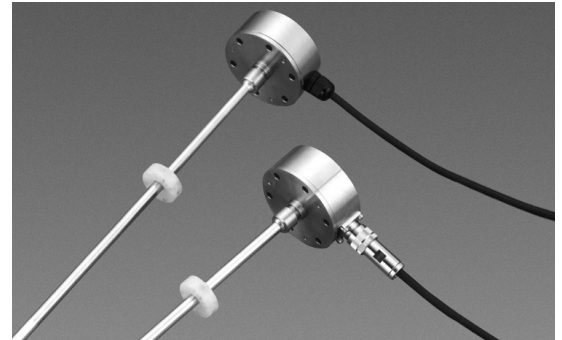


The GYFRS is a probe that improves the vibration-proof and the impact-proof performance. Vibration-proof 10G and impact-proof 200G (2msec) have been achieved. The output signal is compatible with the GYcRS probe, and it is available by combining with GYDC-05 in the digital output and with GYHC, GYFC2 in the analog output for the controller. Moreover, it is possible to combine with digital output (GKS-01) with indicator. The flat head permits a miniaturized application and the flange makes the installation easier, compared with a conventional screw type.



Specifications

Accuracy	Non-linearity	$< \pm 0.025\% \text{FS TYP}$
	Resolution	analogue: 16bit (with GYHC) digital: Min.1 μm (with GYDC-05)
	Repeatability	$< \pm 0.01\% \text{FS TYP}$
	Temp drift	20ppm FS/ $^{\circ}\text{C}$
Environment	Admissible press.	35MPa (probe rod)
	Operating Temp	$-20^{\circ}\text{C} \sim +80^{\circ}\text{C}$
	Storage Temp	$-40^{\circ}\text{C} \sim +80^{\circ}\text{C}$
	Vibration	10G (or 50Hz 2mmPP)
	Shock	200G (2msec)
	Protection	IP67 (Option IP68)
Cable length		1.5m (Standard) (Option Max.200m)

- The above mentioned accuracy applies to sensors with an effective stroke of 300mm or more.
- Resolution depends on the controller combined.

Model No.

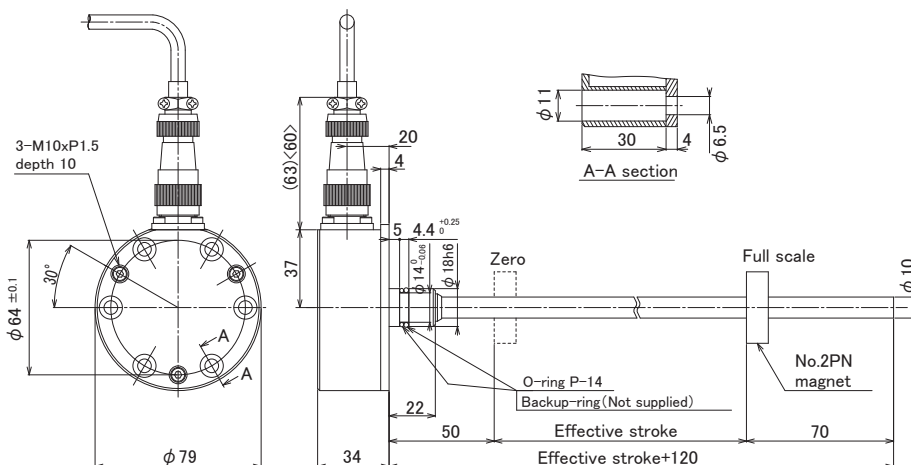
GYFRS-□□□□-□
 ① ②

- ① Effective stroke
15mm~3500mm
- ② Cable connection
 CN: Connector type IP67 (Standard)
 G※: Pigtail type IP67
 WPCN: Connector type IP68
 WPG※: Pigtail type IP68
 (※: Cable length [m], Standard: 1.5m)

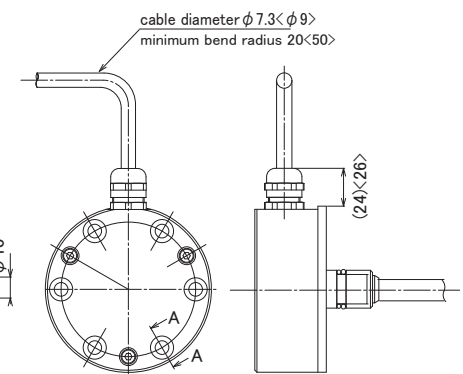
- ◆ Combined controller
 Analogue output type: GYHC (P.19) , GYFC2 (P.20)
 Digital output type: GYDC-05 (P.21)
 With LED Display: GKS-01 (P.23)

Dimensions

■ Connector type (Code: CN) <WPCN>



■ Pigtail type (Code: G※) <WPG※>



- Material probe head: SS304, probe rod: SS304
- Standard magnet: No.2PN. Other magnets are available from Magnet Grouping 「GG」 (P.33).
- The tip dead zone length (70mm) depends on the magnet or float type.
- CN type: Sanwa SNW-1607-PCF (Material: zinc alloy fluoroplastic) , WPCN type: Tajimi TC1108-12A10-7F(8.6) (Material: brass with Ni plating)
- The figure in < > is the figure of IP68 type (WPCN, WPG※).
- Applicable O ring type is P-14. Back-up ring is strongly suggested in usage.