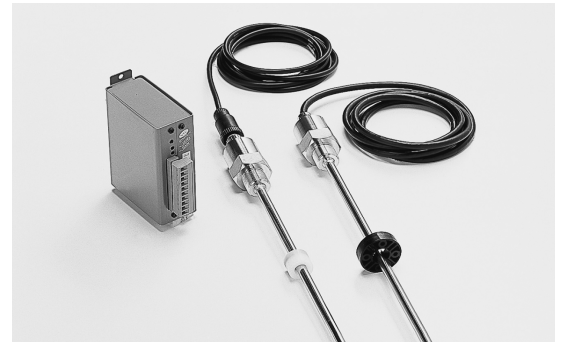


GYMT Probe GYMTC Controller

Compact Type

The GYMT series, the compact probe and controller in the GY series, have an extremely simplified and carefully selected electronics in a small place. By employing COMBICON screw plug connectors of Phoenix Contact in the GYMTC controller, wiring operation becomes easier and more reliable. The GYMTC controller provides 0~10V voltage output or 4~20mA current output, indicating the position of the movable magnet along the GYMT probe rod. The power supply of GYMTC is $\pm 15\text{VDC}$.



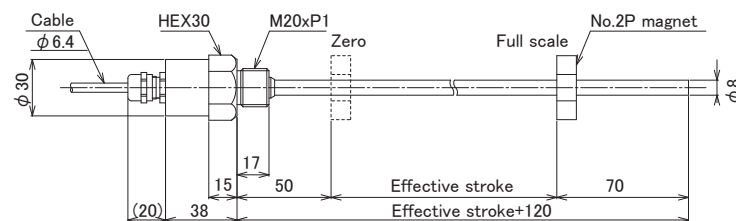
Specifications

Accuracy	Non-linearity	$< \pm 0.05\% \text{FS TYP}$
	Resolution	$< 0.01\% \text{FS}$
	Repeatability	$< \pm 0.01\% \text{FS}$
	Temp drift	$\pm 50 \text{ppmFS}/^\circ\text{C}$ (probe) $\pm 80 \text{ppmFS}/^\circ\text{C}$ (controller)
Output	Voltage output	0~10V or 10~0V (output current: Max.5mA, load: Min.2k Ω)
	Current output	4~20mA or 20~4mA (load: Min.500 Ω)
Power supply		$\pm 15\text{VDC}$ type +15V $\pm 5\%$ ($< 100\text{mA}$) -15V $\pm 5\%$ ($< 50\text{mA}$)
Frequency response		Std 1kHz (depending on stroke) sampling
Environment	Admissible press.	35MPa (probe rod)
	Operating Temp	-5 $^\circ\text{C}$ ~+60 $^\circ\text{C}$ (probe) 0 $^\circ\text{C}$ ~+60 $^\circ\text{C}$ (controller)
	Storage Temp	-40 $^\circ\text{C}$ ~+80 $^\circ\text{C}$
	Vibration	6G (or 40Hz 2mmPP)
	Shock	50G (2msec)
	Protection	IP67 (probe)
Cable length		1.5m (Standard) (Option Max.10m)

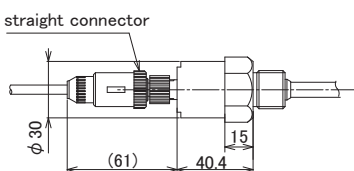
- The above mentioned accuracy applies to sensors with an effective stroke of 300mm or more.
- Optionally, user can select +12VDC and +24VDC power supply.
- Zero/Gain adjustments by trimmer of controller is possible, std within $\pm 3\% \text{FS}$.

Dimensions

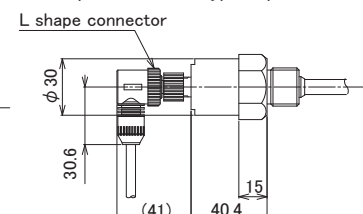
■ Pigtail type (Standard)



■ Straight connector type (Option)



■ L shape connector type (Option)



Model No.

■ Probe

GYMT-□□□□-□-□
① ② ③

① Effective stroke
15mm~2000mm

② Thread

J8: M20xP1.0, rod $\phi 8$
(Standard)

L8: M16xP2.0, rod $\phi 8$

N: M18xP1.5, rod $\phi 10$
U: 3/4-16UNF, rod $\phi 10$

K6: M16xP1.5, rod $\phi 6$

③ Cable connection

G※: Pigtail type (Standard)
(※: Cable length [m])

CN: Connector type (Option)

• Please use the cable as specified on order.

• The cable extend and cut needs the readjustment in the factory.

• The terminal stand and the connector etc. can be used to connect cable.

■ Controller

GYMTC-11-□-□□□□-15W-□
① ② ③

① Output

A: 0~10V

B: 4~20mA

C: others (bipolar)

② Effective stroke

15mm~2000mm

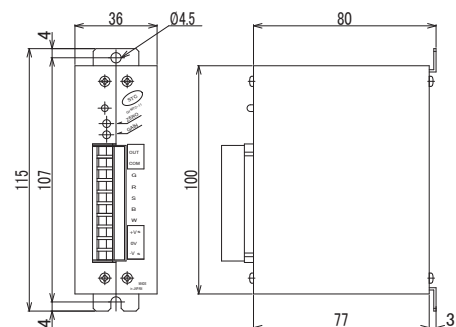
③ Direction of output

(toward probe tip)

D: output increase

R: output decrease

■ Controller



• Material probe head: SS304, probe rod: SS304

• Standard magnet: No.2P. Other magnets are available from Magnet Grouping「BJ」(P.33).

• The tip dead zone length (70mm) depends on the magnet or float type.

• Connector: Omron XS2C-D4S1 (straight type) or D4S2 (L type) (Material: PBT plastic)