

GYPM Probe GYPMC Controller

Mini type

The sensor head of GYPM probe is more compact. By new design of probe head, screw side dead zone has been shortened to 30mm (Standard). As to tip dead zone, making short to 40mm is possible by option (standard: 70mm). Cable out direction is radial.

GYPM probe is used in combination with the GYPMC controller, which provides analogue output, 0~10V or 4~20mA, and can also be used in combination with GYHC or GYDC-05 controller, which provides velocity output or digital output. (refer P.19, P.21)



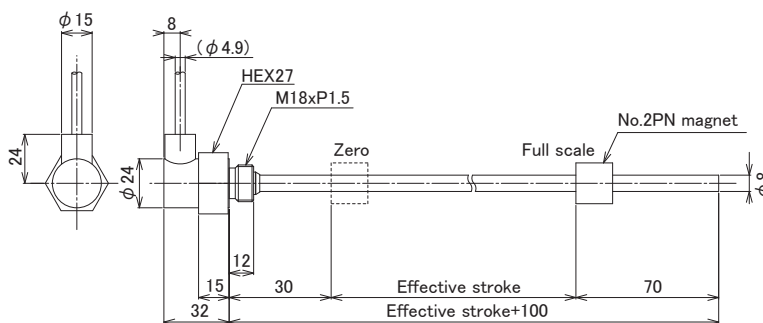
Specifications

| | | |
|--------------------|-------------------|--|
| Accuracy | Non-linearity | < $\pm 0.05\%$ FS TYP |
| | Resolution | < 0.01%FS |
| | Repeatability | < $\pm 0.01\%$ FS |
| | Temp drift | ± 70 ppmFS/ $^{\circ}$ C (probe) ± 50 ppmFS/ $^{\circ}$ C (controller) |
| Output | Voltage output | 0~10V or 10~0V (output current: Max.5mA, load: Min.2k Ω) |
| | Current output | 4~20mA or 20~4mA (load: Min.500 Ω) |
| Power supply | | +24 (± 2)VDC (100mA) |
| Frequency response | | Std 1kHz (depending on stroke) sampling |
| Environment | Admissible press. | 35MPa (probe rod) |
| | Operating Temp | -5 $^{\circ}$ C~+60 $^{\circ}$ C (probe) 0 $^{\circ}$ C~+60 $^{\circ}$ C (controller) |
| | Storage Temp | -40 $^{\circ}$ C~+80 $^{\circ}$ C |
| | Vibration | 6G (or 40Hz 2mmPP) |
| | Shock | 20G (2msec) |
| | Protection | IP64 (probe) |
| | Cable length | 1.5m (Standard) (Option Max.100m) |

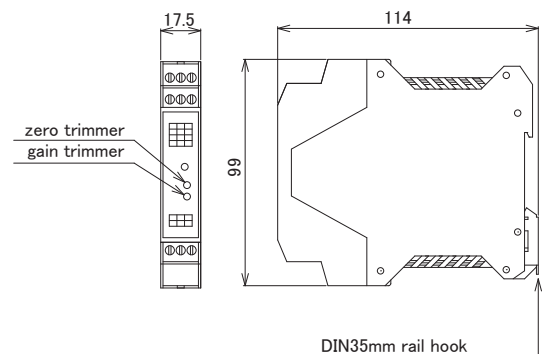
- The above mentioned accuracy applies to sensors with an effective stroke of 300mm or more.
- Zero/Gain adjustments by trimmer of controller is possible, std within $\pm 3\%$ FS.

Dimensions

Probe



Controller



- Material probe head: SS304, probe head cap: GFRP50 (nylon 66), probe rod: SS304
- Standard magnet: No.2PN Other magnets are available from Magnet Grouping「GG」(P.33).
- The tip dead zone length (70mm) depends on the magnet or float type.
- After fixing the probe, users can adjust the cable direction (360 $^{\circ}$) by loosening the small screw on probe HEX parts and turning the probe head.

Model No.

Probe

GYPM-□□□□-N8-G□
① ②

- ① Effective stroke 15mm~1000mm
② Cable length (m) Standard 1.5m

Controller

GYPMC-02-□□-□□□□-PM
① ② ③

- ① Output A: 0~10V (toward probe tip) B: 4~20mA
② Direction of output D: output increase R: output decrease
③ Effective stroke 15mm~1000mm